

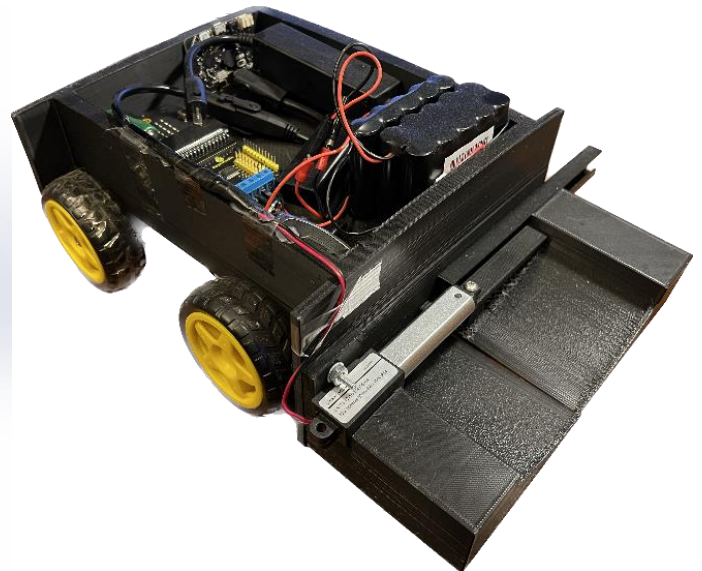
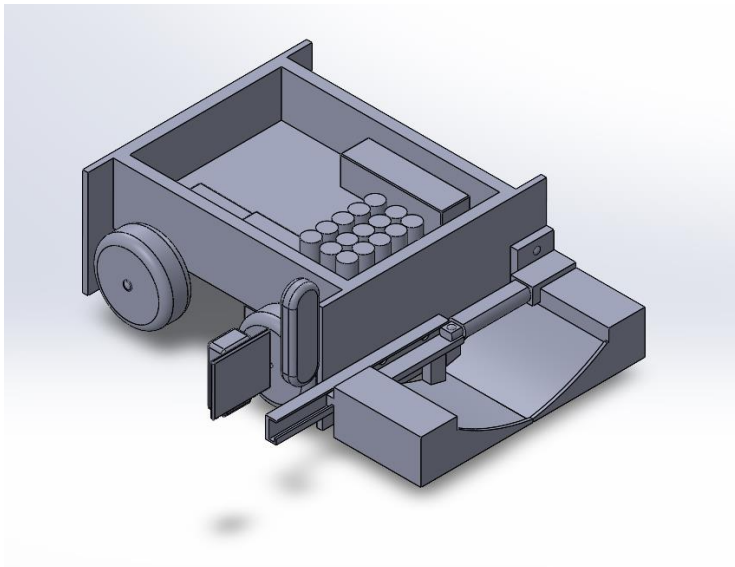
Bryce Greenberg

Professional and Engineering Student Experience Portfolio

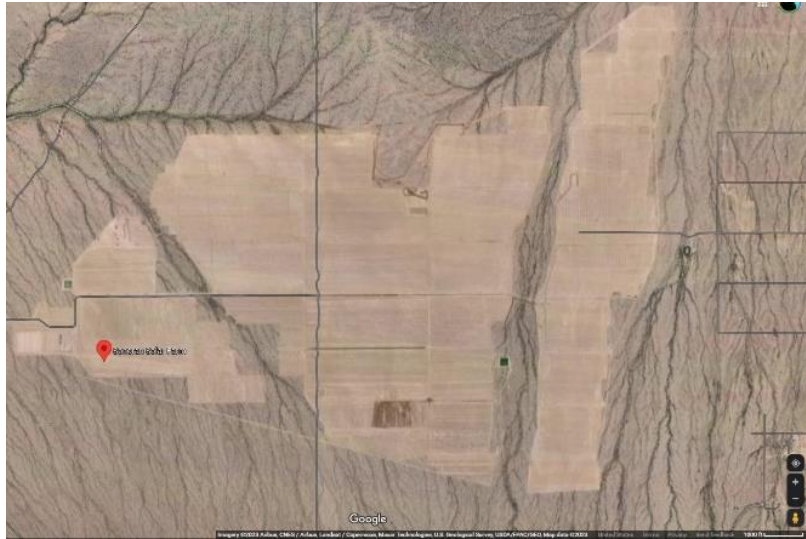
The Rolling Car Shop, 2009-2018, San Tan Valley, AZ



Junior Mechanical Engineering Project, Spring 2022, Northern Arizona University:



Moss and Associates - Sonoran Solar and BESS Project Engineer Internship
Summer 2022, Buckeye, AZ:



Senior Mechanical Engineering Project, Fall 2022-Spring 2023, Northern Arizona University:

